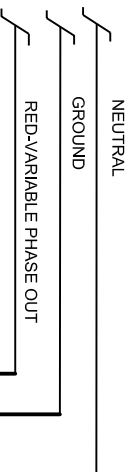


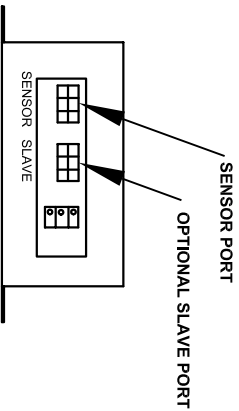
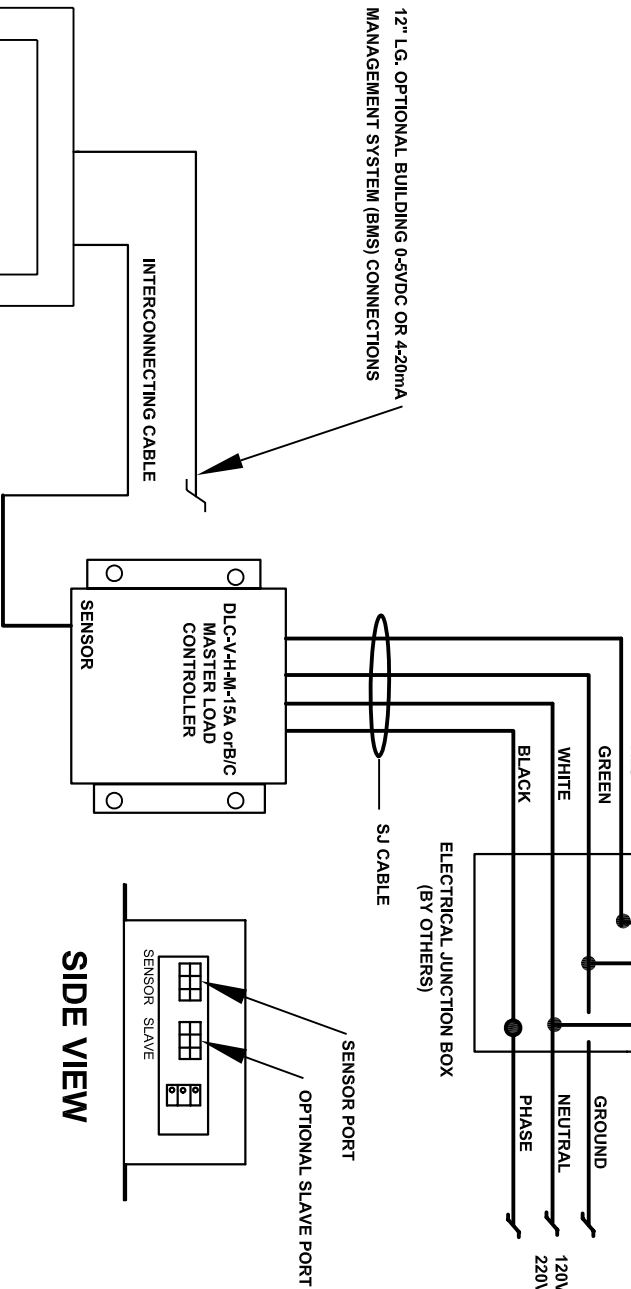
ELECTRICAL CONNECTIONS TO AIR PURIFIER,  
OZONE GENERATOR, HVAC DAMPER, PHOTO  
CATALYTIC SYSTEM, OR LIGHTING PANEL



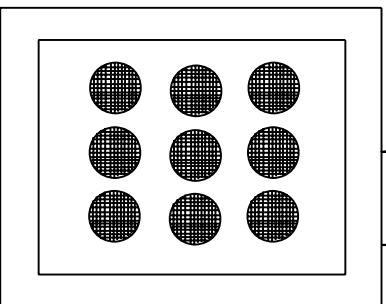
120VAC 60 Hz or  
220VAC 50 Hz

ELECTRICAL JUNCTION BOX  
(BY OTHERS)

12" LG. OPTIONAL BUILDING 0-5VDC OR 4-20mA  
MANAGEMENT SYSTEM (BMS) CONNECTIONS



**SIDE VIEW**



**E-10 DUCT MOUNTED  
AIR QUALITY SENSOR**

**E-10 SENSOR & DLC-V-H-M-15A/C or 15B/C  
VARIABLE MASTER LOAD CONTROLLER**

**MARSHALL CONSULTING SERVICES, INC.  
HAUPPAUGE, NEW YORK**

SIZE	DATE:	DWG NO.	REV
A	03-21-07		1
SCALE: NONE	DRAWN BY: BMM	CHECKED BY:	SHEET 1 OF 1
		MSC - 5001	